

Blackmagic URSA Mini B4 Mount

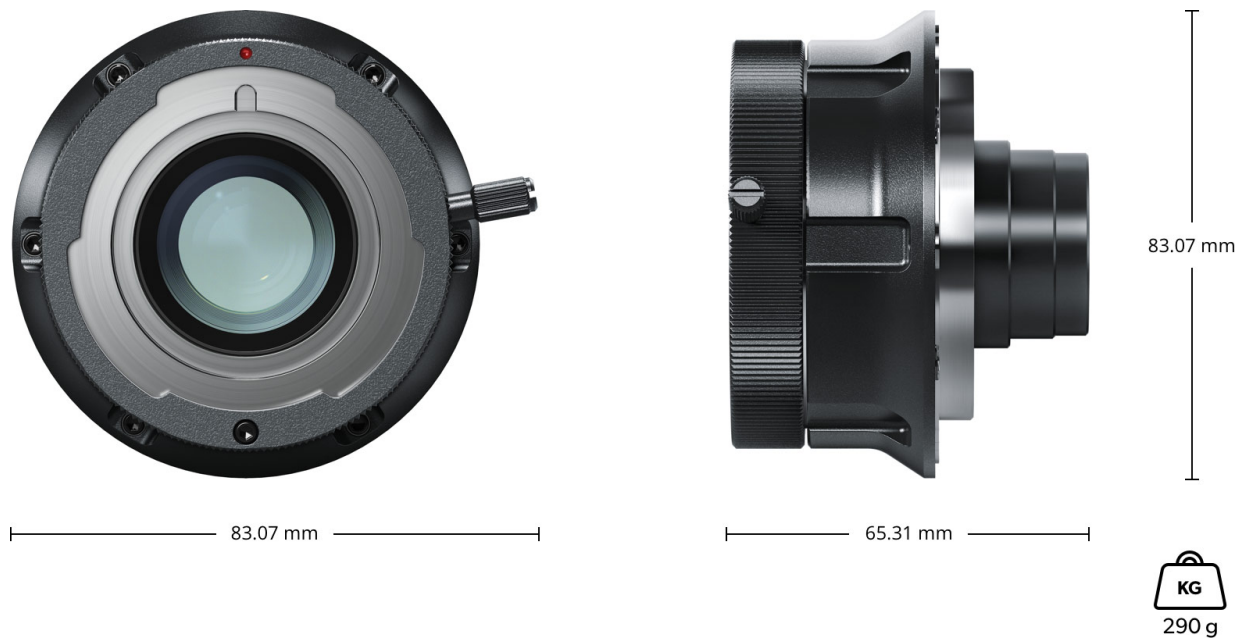


The Blackmagic URSA Mini B4 Mount is an accessory for URSA Mini PL models that lets you swap the built in PL lens mount on your URSA Mini with a B4 lens mount. Featuring precision glass optics, the B4 mount is specifically designed to match URSA Mini's sensor with high definition B4 lenses. The mount also has spherical aberration correction so lenses can be used wide open with no blooming effect. B4 lenses can be fully electronically controlled from the URSA Mini PL lens control connection.

Lens Mount Feature

Optics Resolution 1920 x 1080	Magnification 1.1x	B4 Spherical Aberration Correction Yes
Image Circle 10.56mm x 5.94mm	Lens Mount B4 Bayonet style with locking ring	

Physical Specifications



What's Included

- Blackmagic URSA Mini B4 Mount
- Turret Dust Cap
- Lens rear protective cover
- Spare Mounting Screws
- Printed Instructions

Warranty

Product Warranty

12 Month Limited Manufacturer's Warranty.

All items on this website are copyright Blackmagic Design Pty. Ltd. 2017, all rights reserved.
All trademarks are property of their respective owners. MSRP excludes sales taxes/duties and shipping costs.

Blackmagic Design Authorized Reseller