



## evolution wireless G4

ew 112 P G4 | Camera Lavalier ME 2 Set

ew 122 P G4 | Camera Lavalier ME 4 Set



A broadcast quality sound solution. Providing the highest flexibility for your video sound and field recording applications. A robust wireless microphone system that offers excellent sound quality, simple mounting and ease of use.

Rugged all-in-one wireless system with high flexibility for broadcast quality sound, including the clip-on microphone ME 2-II (omni-directional) or ME 4 (cardioid) for excellent speech intelligibility and daily on-location use.

### FEATURES

- Rugged all-in-one wireless system with high flexibility for broadcast quality sound
- Excellent sound and construction quality
- Easy to use and fast setup time
- Powerful and reliable wireless transmission
- Range: up to 100 meters / 330 feet
- Up to 8 hours of operation time

### DELIVERY INCLUDES

- EK 100 G4 camera receiver
- SK 100 G4 bodypack transmitter
- ME 2 clip-on microphone (ew 112 P variants only)
- ME 4 clip-on microphone (ew 122 P variants only)
- 4 AA batteries
- CA 2 camera adapter
- CL 1 3.5 mm jack cable
- CL 100 XLR to 3.5 mm jack adapter cable
- quick guide
- safety guide
- manufacturer declaration sheet



# evolution wireless G4

## ew 112 P G4 | Camera Lavalier ME 2 Set

## ew 122 P G4 | Camera Lavalier ME 4 Set

### SPECIFICATIONS

#### EK 100 G4

##### RF characteristics

Modulation	Wideband FM
Frequency ranges	A1: 470 - 516 MHz A: 516 - 558 MHz AS: 520 - 558 MHz G: 566 - 608 MHz GB: 606 - 648 MHz B: 626 - 668 MHz C: 734 - 776 MHz D: 780 - 822 MHz E: 823 - 865 MHz JB: 806 - 810 MHz K+: 925 - 937.5 MHz 1G8: 1785 - 1800 MHz
Receiving frequencies	Max. 1680 receiving frequencies, adjustable in 25 kHz steps  20 frequency banks, each with up to 12 factory-preset channels, no intermodulation  1 frequency bank with up to 12 programmable channels
Switching bandwidth	up to 42 MHz
Nominal/peak deviation	$\pm 24$ kHz / $\pm 48$ kHz
Receiver principle	Adaptive diversity
Sensitivity (with HDX, peak deviation)	$< 1.6 \mu\text{V}$ for 52 dBA <sub>eff S/N</sub>
Adjacent channel selection	$\geq 65$ dB
Intermodulation attenuation	$\geq 65$ dB
Blocking	$\geq 70$ dB

Squelch	low: 5 dB $\mu\text{V}$ middle: 15 dB $\mu\text{V}$ high: 25 dB $\mu\text{V}$
Pilot tone squelch	Can be switched off

##### AF characteristics

Compander system	Sennheiser HDX
Signal-to-noise ratio (1 mV, peak deviation)	$\geq 110$ dBA
Total harmonic distortion (THD)	$\leq 0.9$ %
AF output voltage (at peak deviation, 1 kHz AF)	3.5 mm jack socket: +12 dBu (mono, unbalanced)
Adjustment range of audio output level	42 dB, adjustable in steps of 6 dB

##### Overall device

Temperature range	-10 °C to +55 °C
Power supply	2 AA batteries, 1.5 V or BA 2015 accupack
Nominal voltage	3 V battery / 2.4 V rechargeable battery
Current consumption	at nominal voltage: typ. 180 mA with receiver switched off: $\leq 25 \mu\text{A}$
Operating time	Typically 8 h
Dimensions	Approx. 82 x 64 x 24 mm
Weight (incl. batteries)	approx. 160 g



# evolution wireless G4

## ew 112 P G4 | Camera Lavalier ME 2 Set

## ew 122 P G4 | Camera Lavalier ME 4 Set

### SPECIFICATIONS

#### SK 100 G4

RF characteristics	
Modulation	Wideband FM
Frequency ranges	A1: 470 - 516 MHz A: 516 - 558 MHz AS: 520 - 558 MHz G: 566 - 608 MHz GB: 606 - 648 MHz B: 626 - 668 MHz C: 734 - 776 MHz D: 780 - 822 MHz E: 823 - 865 MHz JB: 806 - 810 MHz K+: 925 - 937.5 MHz 1G8: 1785 - 1800 MHz
Transmission frequencies	Max. 1680 receiving frequencies, adjustable in 25 kHz steps  20 frequency banks, each with up to 12 factory-preset channels, no intermodulation  1 frequency bank with up to 12 programmable channels
Switching bandwidth	up to 42 MHz
Nominal/peak deviation	$\pm 24$ kHz / $\pm 48$ kHz
Frequency stability	$\leq \pm 15$ ppm
RF output power at 50 $\Omega$	Max. 30 mW
Pilot tone squelch	Can be switched off

#### AF characteristics

Compander system	Sennheiser HDX
AF frequency response	Mic: 80 - 18,000 Hz Line: 25 - 18,000 Hz
Signal-to-noise ratio (1 mV, peak deviation)	$\geq 110$ dBA
Total harmonic distortion (THD)	$\leq 0.9$ %
Max. microphone/line input voltage	3 V <sub>eff</sub>
Microphone/line input impedance	40 k $\Omega$ , unbalanced / 1 M $\Omega$
Input capacitance	Switchable
Setting range for input sensitivity	60 dB, adjustable in 3 dB steps

#### Overall device

Temperature range	-10 °C to +55 °C
Power supply	2 AA batteries, 1.5 V or BA 2015 accupack
Nominal voltage	3 V battery / 2.4 V rechargeable battery
Current consumption	at nominal voltage: typ. 180 mA with transmitter switched off: $\leq 25$ $\mu$ A
Operating time	Typically 8 h
Dimensions	Approx. 82 x 64 x 24 mm
Weight (incl. batteries)	approx. 160 g

### SPECIFICATIONS

#### ME 2

Transducer principle	pre-polarized condenser microphone
Pick-up pattern	omni-directional
Sensitivity (free field, no load) (1 kHz)	20 mV/Pa
Max. SPL at 1 kHz	130 dB
Frequency response	"50 to 18,000 Hz (ME 2-II) 30 to 20,000 Hz (ME 2-US)"
"Equivalent noise level A-weighted (DIN IEC 651)"	36 dB
Connector	3.5 mm jack
Cable length	approx. 1.60 m
Supply voltage	7.5 V

#### ME 4

Transducer principle	pre-polarized condenser microphone
Pick-up pattern	cardioid
Sensitivity (free field, no load) (1 kHz)	40 mV/Pa
Max. SPL at 1 kHz	120 dB
Frequency response	50 to 18,000 Hz
"Equivalent noise level A-weighted (DIN IEC 651)"	31 dB
Connector	3.5 mm jack
Cable length	approx. 1.60 m
Supply voltage	7.5 V



# evolution wireless G4

## ew 112 P G4 | Camera Lavalier ME 2 Set

## ew 122 P G4 | Camera Lavalier ME 4 Set

### PRODUCT VARIANTS

#### Made in Germany

<b>ew 112 P G4-A1</b>	470 - 516 MHz	Art. no. 507612
<b>ew 112 P G4-A</b>	516 - 558 MHz	Art. no. 507613
<b>ew 112 P G4-GB</b>	606 - 648 MHz	Art. no. 507614
<b>ew 112 P G4-G</b>	566 - 608 MHz	Art. no. 507615
<b>ew 112 P G4-B</b>	626 - 668 MHz	Art. no. 507616
<b>ew 112 P G4-C</b>	734 - 776 MHz	Art. no. 507617
<b>ew 112 P G4-E</b>	823 - 865 MHz	Art. no. 507618
<b>ew 112 P G4-K+</b>	925 - 937.5 MHz	Art. no. 507619

<b>ew 122 P G4-A1</b>	470 - 516 MHz	Art. no. 507620
<b>ew 122 P G4-A</b>	516 - 558 MHz	Art. no. 507621
<b>ew 122 P G4-GB</b>	606 - 648 MHz	Art. no. 507622
<b>ew 122 P G4-G</b>	566 - 608 MHz	Art. no. 507623
<b>ew 122 P G4-B</b>	626 - 668 MHz	Art. no. 507624
<b>ew 122 P G4-C</b>	734 - 776 MHz	Art. no. 507625
<b>ew 122 P G4-E</b>	823 - 865 MHz	Art. no. 507626
<b>ew 122 P G4-K+</b>	925 - 937.5 MHz	Art. no. 507627

#### Assembled in USA

<b>ew 112 P G4-A1</b>	470 - 516 MHz	Art. no. 507953
<b>ew 112 P G4-A</b>	516 - 558 MHz	Art. no. 507954
<b>ew 112 P G4-AS</b>	520 - 558 MHz	Art. no. 507955
<b>ew 112 P G4-G</b>	566 - 608 MHz	Art. no. 507956
<b>ew 112 P G4-B</b>	626 - 668 MHz	Art. no. 507957
<b>ew 112 P G4-C</b>	734 - 776 MHz	Art. no. 507958
<b>ew 112 P G4-D</b>	780 - 822 MHz	Art. no. 507959
<b>ew 112 P G4-JB</b>	806 - 810 MHz	Art. no. 507960

<b>ew 122 P G4-A1</b>	470 - 516 MHz	Art. no. 507961
<b>ew 122 P G4-A</b>	516 - 558 MHz	Art. no. 507962
<b>ew 122 P G4-AS</b>	520 - 558 MHz	Art. no. 507963
<b>ew 122 P G4-G</b>	566 - 608 MHz	Art. no. 507964
<b>ew 122 P G4-B</b>	626 - 668 MHz	Art. no. 507965
<b>ew 122 P G4-C</b>	734 - 776 MHz	Art. no. 507966
<b>ew 122 P G4-D</b>	780 - 822 MHz	Art. no. 507967
<b>ew 122 P G4-JB</b>	806 - 810 MHz	Art. no. 507968



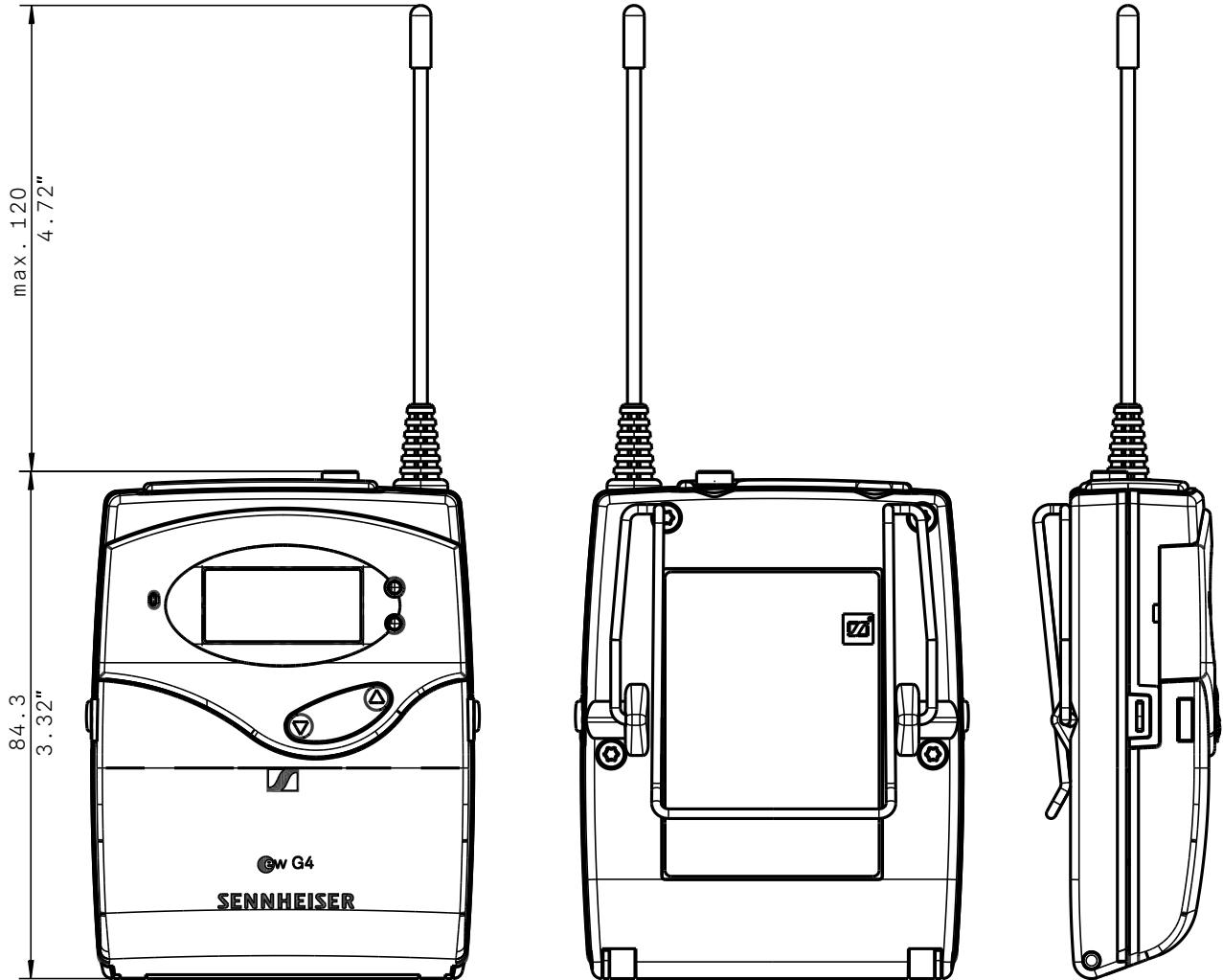
# evolution wireless G4

ew 112 P G4 | Camera Lavalier ME 2 Set

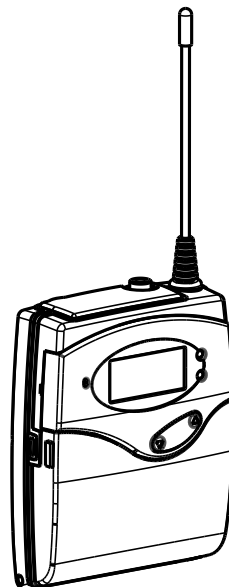
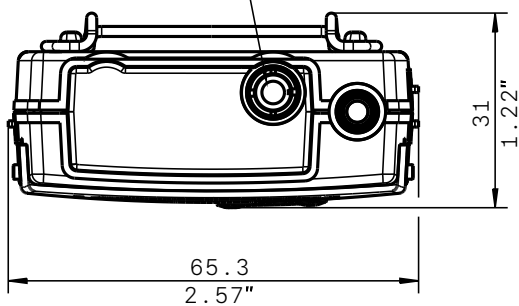
ew 122 P G4 | Camera Lavalier ME 4 Set

## DIMENSIONS

### EK 100 G4



3,5mm Klinke, unsymmetrisch  
3,5mm plug, unsymmetrical





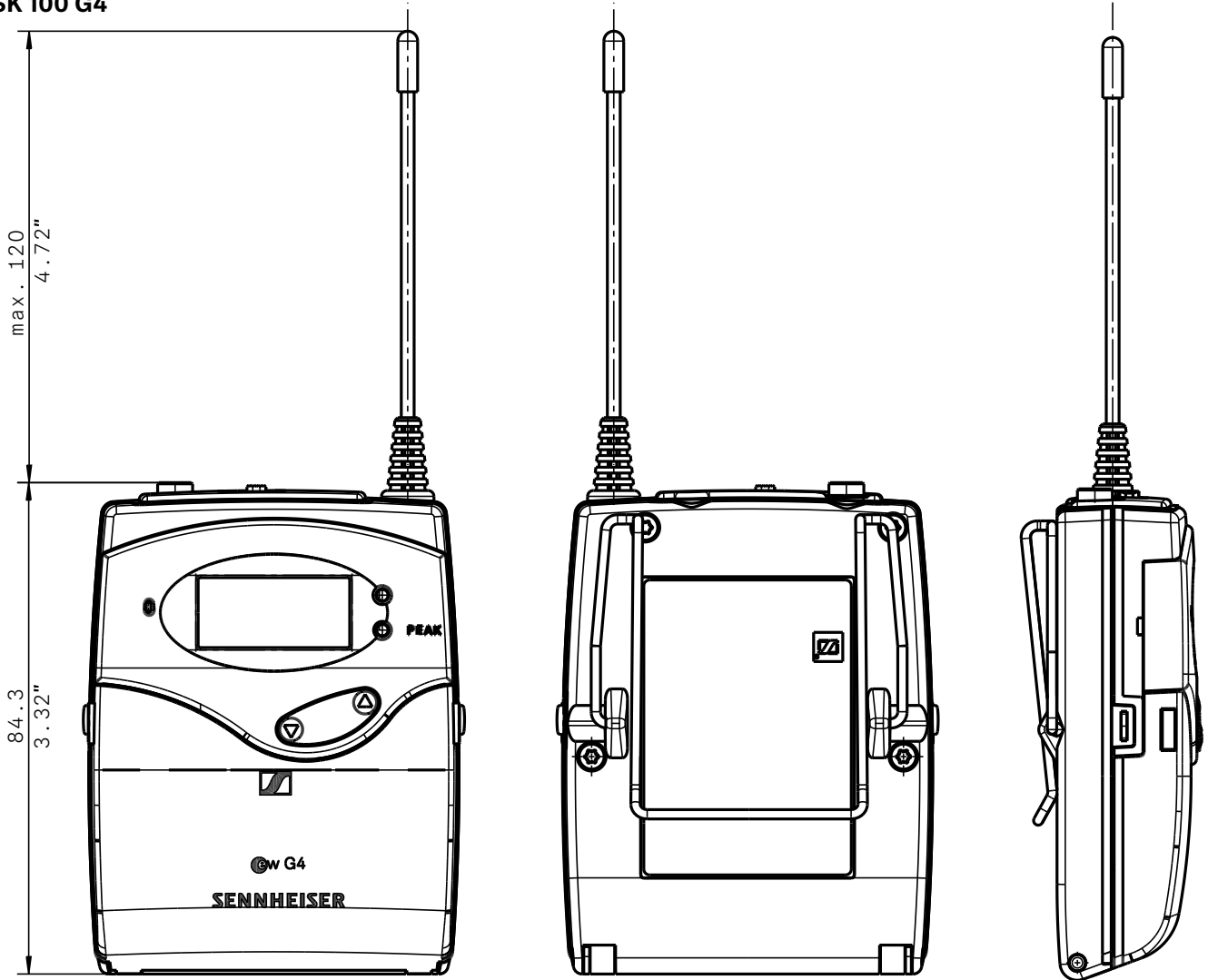
# evolution wireless G4

ew 112 P G4 | Camera Lavalier ME 2 Set

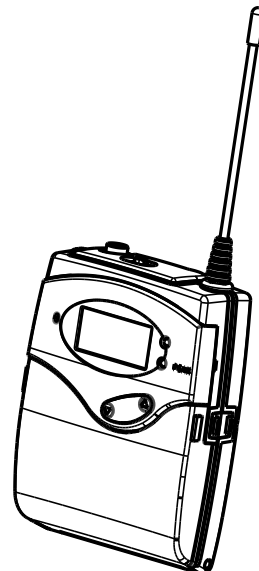
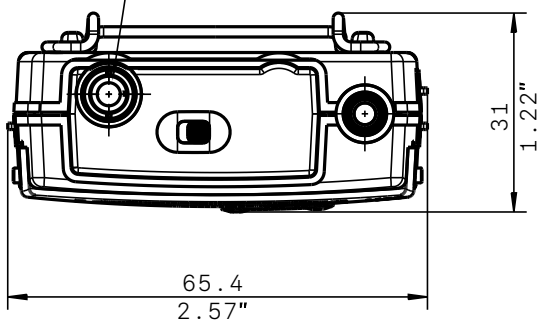
ew 122 P G4 | Camera Lavalier ME 4 Set

## DIMENSIONS

### SK 100 G4



3,5mm Klinke  
3,5mm plug





# evolution wireless G4

## ew 112 P G4 | Camera Lavalier ME 2 Set

## ew 122 P G4 | Camera Lavalier ME 4 Set

### ARCHITECT'S SPECIFICATION

A wireless RF transmission system consisting of a camera receiver and a bodypack transmitter with a clip-on microphone.

The system shall operate within eleven UHF frequency ranges, with a switching bandwidth of up to 42 MHz: 470 – 516 MHz, 516 – 558 MHz, 520 – 558 MHz, 566 – 608 MHz, 606 – 648 MHz, 626 – 668 MHz, 734 – 776 MHz, 780 – 822 MHz, 823 – 865 MHz, 806 – 810 MHz, 925 – 937.5 MHz; transmission frequencies shall be 1,680 per range and shall be tunable in 25 kHz steps. The system shall feature 20 fixed frequency banks with up to 12 compatible frequency presets and 1 user bank with up to 12 user programmable frequencies.

The receiver shall be menu-driven with a backlit LC display showing the current frequency, frequency bank and channel number, metering of RF level, metering of AF level, lock status, battery status, muting function or line output level, and pilot tone evaluation. An auto-lock feature shall be provided to prevent settings from being accidentally altered.

The receiver parameters shall be programmable in the receiver menu.

The receiver shall feature a 3.5 mm audio output with a maximum output of +11 dBu (mono, unbalanced).

Nominal/peak deviation shall be  $\pm 24$  kHz/ $\pm 48$  kHz. Squelch threshold shall be adjustable to three levels: Low (5 dB $\mu$ V), Middle (15 dB $\mu$ V) and High (25 dB $\mu$ V).

The receiver shall incorporate the Sennheiser HDX compander system and a defeatable pilot tone squelch. Sensitivity shall be  $< 1.6$   $\mu$ V (typical) for 52 dBA eff S/N with HDX engaged at peak deviation. Adjacent channel rejection shall be  $\geq 65$  dB (typical). Intermodulation attenuation shall be  $\geq 65$  dB (typical); blocking shall be  $\geq 70$  dB. Signal-to-noise ratio at 1 mV and peak deviation shall be  $\geq 110$  dBA. Total harmonic distortion (THD) shall be  $\leq 0.9$  %. The audio output level shall be adjustable within a 42 dB range in steps of 6 dB.

Power shall be supplied to the receiver by two 1.5 V AA size batteries or by one Sennheiser BA 2015 rechargeable accupack. Nominal voltage shall be 2.4 V, current consumption shall be typical 180 mA at nominal voltage;  $\leq 25$   $\mu$ A when receiver is switched off. Operating time shall be typical 8 hours. The receiver shall have a rugged metal housing; dimensions shall be approximately 82 x 64 x 24 mm (3.23" x 2.52" x 0.94"). Weight including the batteries shall be approximately 160 grams (0.35 lbs). Operating temperature shall range from  $-10$  °C to  $+55$  °C ( $+14$  °F to  $+131$  °F).

The receiver shall be the Sennheiser EK 100 G4.

The transmitter shall be menu-driven with a backlit LC display showing the current frequency, frequency bank and channel number, metering of AF level, transmission status, lock status, pilot tone transmission, muting function, and battery status. An auto-lock feature shall be provided to prevent settings from being accidentally altered.

The transmitter parameters shall either be configurable in the associated receiver's menu and synchronized with the transmitter via an integrated infrared interface or shall be programmable in the transmitter menu.

The transmitter shall be equipped with a mute switch, which shall be switchable between "AF on/off", "RF on/off" and "Disabled" via the user interface.

Nominal/peak deviation shall be  $\pm 24$  kHz/ $\pm 48$  kHz. Frequency stability shall be  $\leq \pm 15$  ppm. RF output power at 50  $\Omega$  shall be 30 mW (typical).

The transmitter shall incorporate the Sennheiser HDX compander system and a defeatable pilot tone squelch. Audio frequency response shall range from 80 – 18,000 Hz (microphone) or 25 – 18,000 Hz (line). Signal-to-noise ratio at 1 mV and peak deviation shall be  $\geq 110$  dBA. Total harmonic distortion (THD) shall be  $\leq 0.9$  %. Input sensitivity shall be adjustable within a 60 dB range in steps of 3 dB.

Power shall be supplied to the transmitter by two 1.5 V AA size batteries or by one Sennheiser BA 2015 rechargeable accupack. Nominal voltage shall be 2.4 V for a rechargeable battery or 3 V for a battery, current consumption shall be typical 180 mA at nominal voltage;  $\leq 25$   $\mu$ A when transmitter is switched off. Operating time shall be typical 8 hours. The transmitter shall have a rugged metal housing; dimensions shall be approximately 82 x 64 x 24 mm (3.23" x 2.52" x 0.94"). Weight including the batteries shall be approximately 160 grams (0.35 lbs). Operating temperature shall range from  $-10$  °C to  $+55$  °C ( $+14$  °F to  $+131$  °F).

The transmitter shall be the Sennheiser SK 100 G4.